

TWO - CIRCUIT MONORAIL

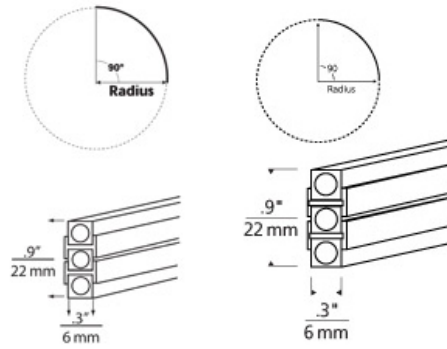
Pre-Bent 90° Curve Two Circuit MonoRail

DESCRIPTION

Two-Circuit MonoRail bends very easily by hand to almost any imaginable shape, but the pre-bent 90° curve makes Two-Circuit MonoRail even easier to install. Horizontal 90° curves are sold by radius, or the distance from the center of the circle to the outside edge. Join four 90° curves to create a circle with a diameter (overall width) equal to twice the specified radius. Rated for 300 watts per circuit at 12 volts. Each piece of rail is shipped with conductive connectors to join rail pieces end to end. Order additional connectors if cutting and rejoining rails.

WEIGHT

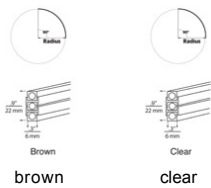
0.32-1.62lb / 0.15-0.73kg ±



Brown

brown

COLOR OPTIONS



ORDERING INFORMATION

700MO2BH90 SHAPE OR SIZE

12	PRE-BENT 90° CURVE
18	PRE-BENT 90° CURVE
24	PRE-BENT 90° CURVE
36	PRE-BENT 90° CURVE
48	PRE-BENT 90° CURVE
60	PRE-BENT 90° CURVE

COLOR

BR BROWN
CLEAR

FINISH

Z ANTIQUE BRONZE
C CHROME
S SATIN NICKEL



7400 Linder Avenue
Skokie, Illinois 60077

T 847.410.4400
F 847.410.4500

Tech Lighting, L.L.C.

700MO2BH90 _____

FIXTURE TYPE: _____

JOB NAME: _____

NOTES: _____



©2014 Tech Lighting, L.L.C. All Rights Reserved. The "Tech Lighting" graphic is a registered trademark of Tech Lighting, L.L.C. Tech Lighting reserves the right to change specifications for product improvements without notification.