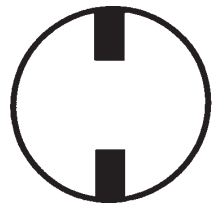
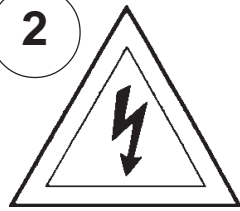


Instructions for electrician
STEPS 2 - 21

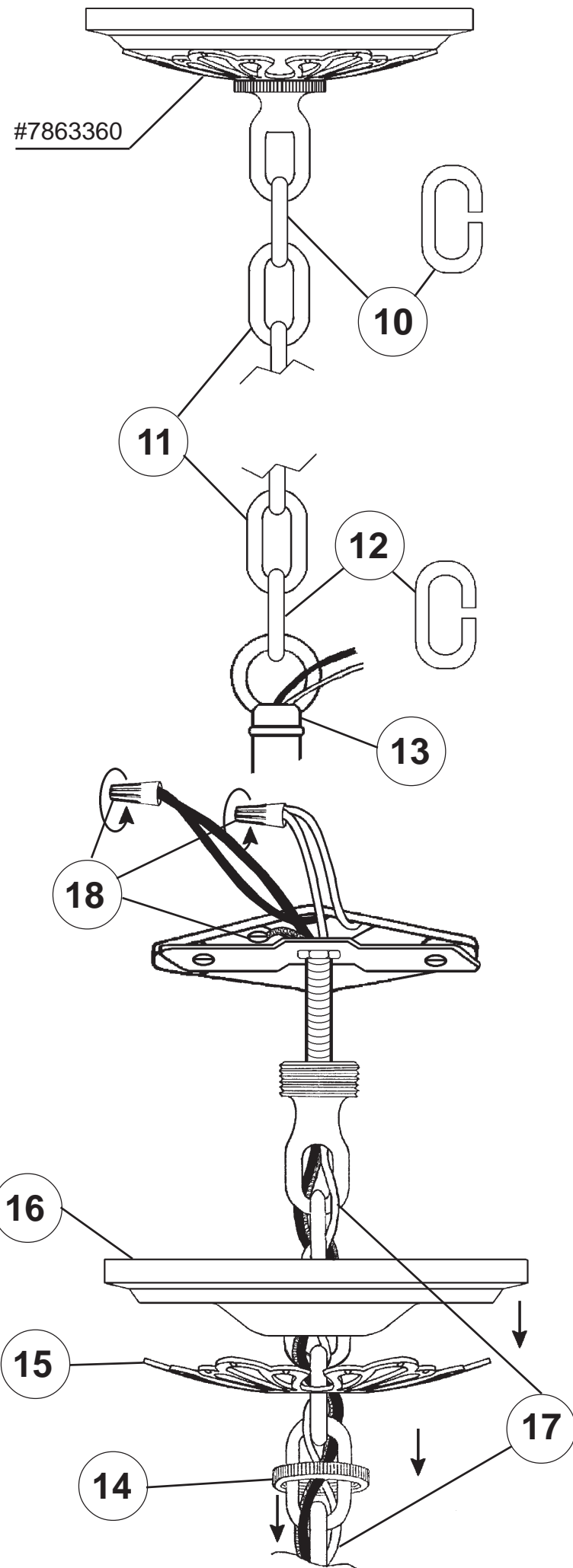
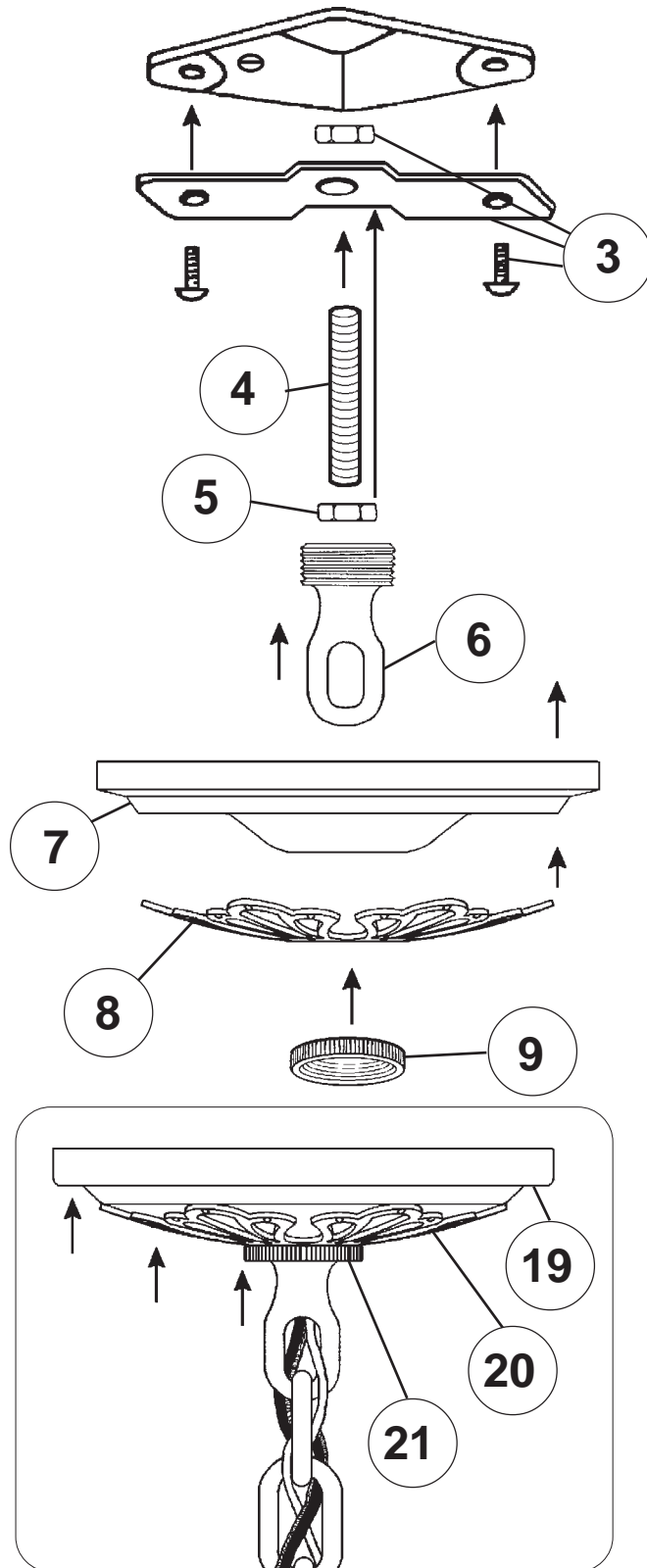
WARNING:

2



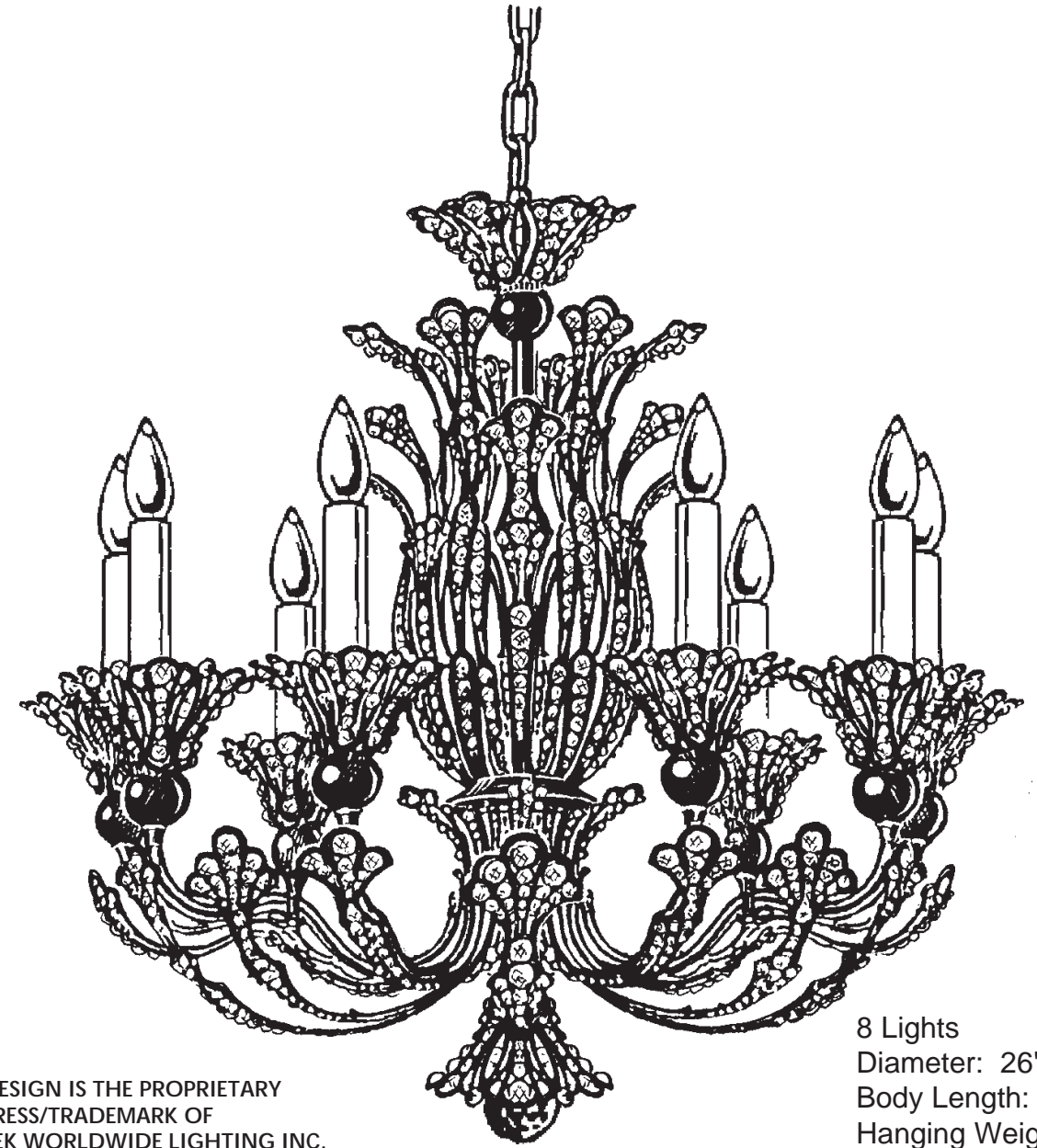
Electrical Danger Turn Power Off

All electrical components must be installed by a licensed electrician in accordance with the National Electric Code and the appropriate local electrical codes.



CHANDELIER 7866-___ S TRIM DIAGRAM

(Finish Option)



8 Lights
Diameter: 26"
Body Length: 23"
Hanging Weight: 13 lbs.

THIS DESIGN IS THE PROPRIETARY TRADE DRESS/TRADEMARK OF SCHONBEK WORLDWIDE LIGHTING INC.

SCHONBEK®

See diagram on back page
Follow steps in exact order
Save this trim diagram for future reference

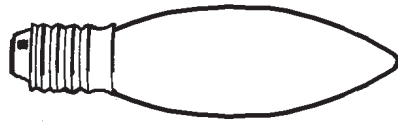
1

IMPORTANT
Person who opens carton should record the following information for future service.

CODE # _____ Four-digit number on outside of carton.
PACKER # _____ See crystal package label.
ORDER # _____ See crystal package label.

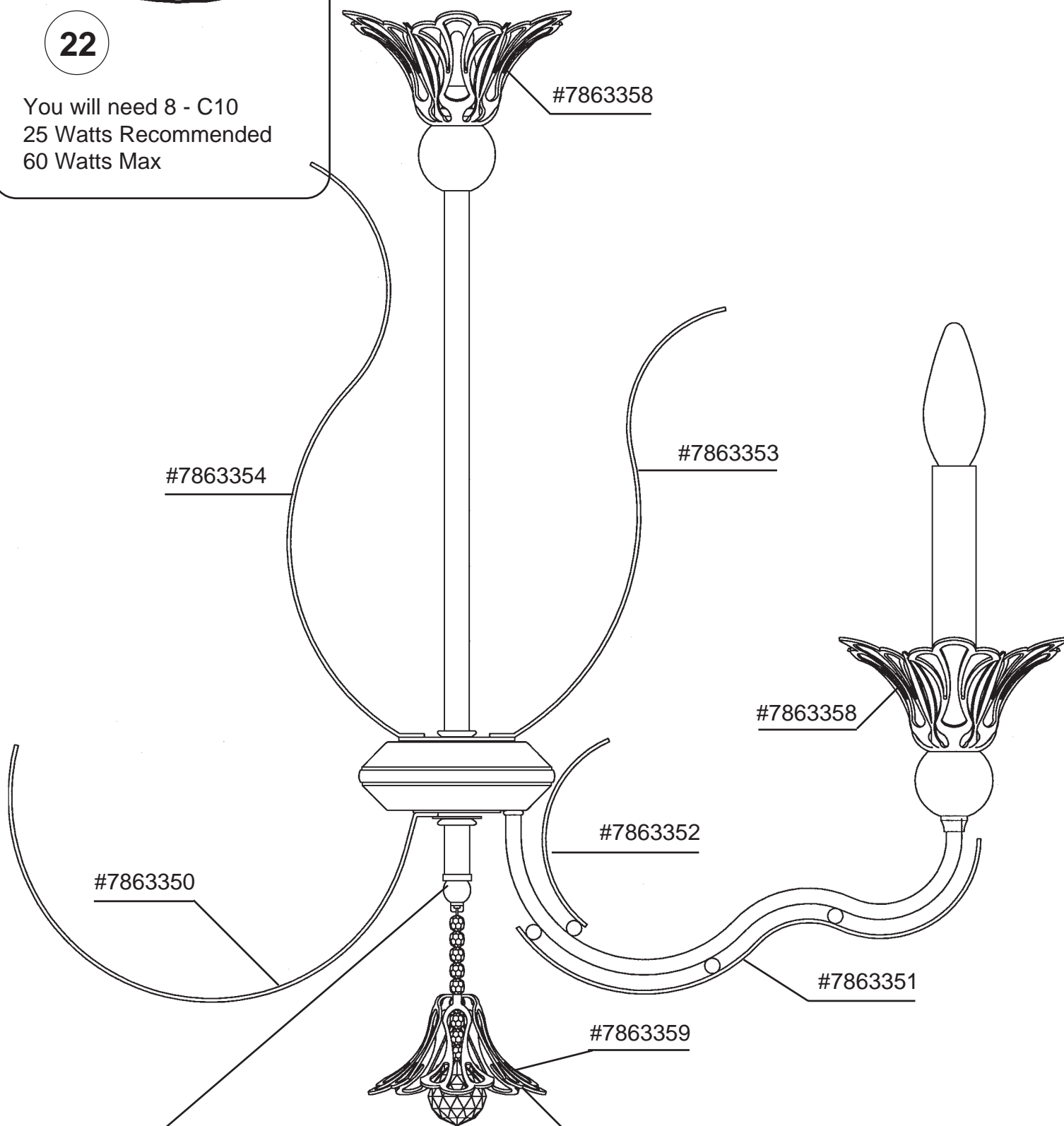
SCHONBEK IS A WORLD LEADER IN CHANDELIER DESIGN. PATENTS INCLUDE:
#D397,494, #D397,495 & #D435,686

Instructions for crystal trimming
STEPS 22 - 24

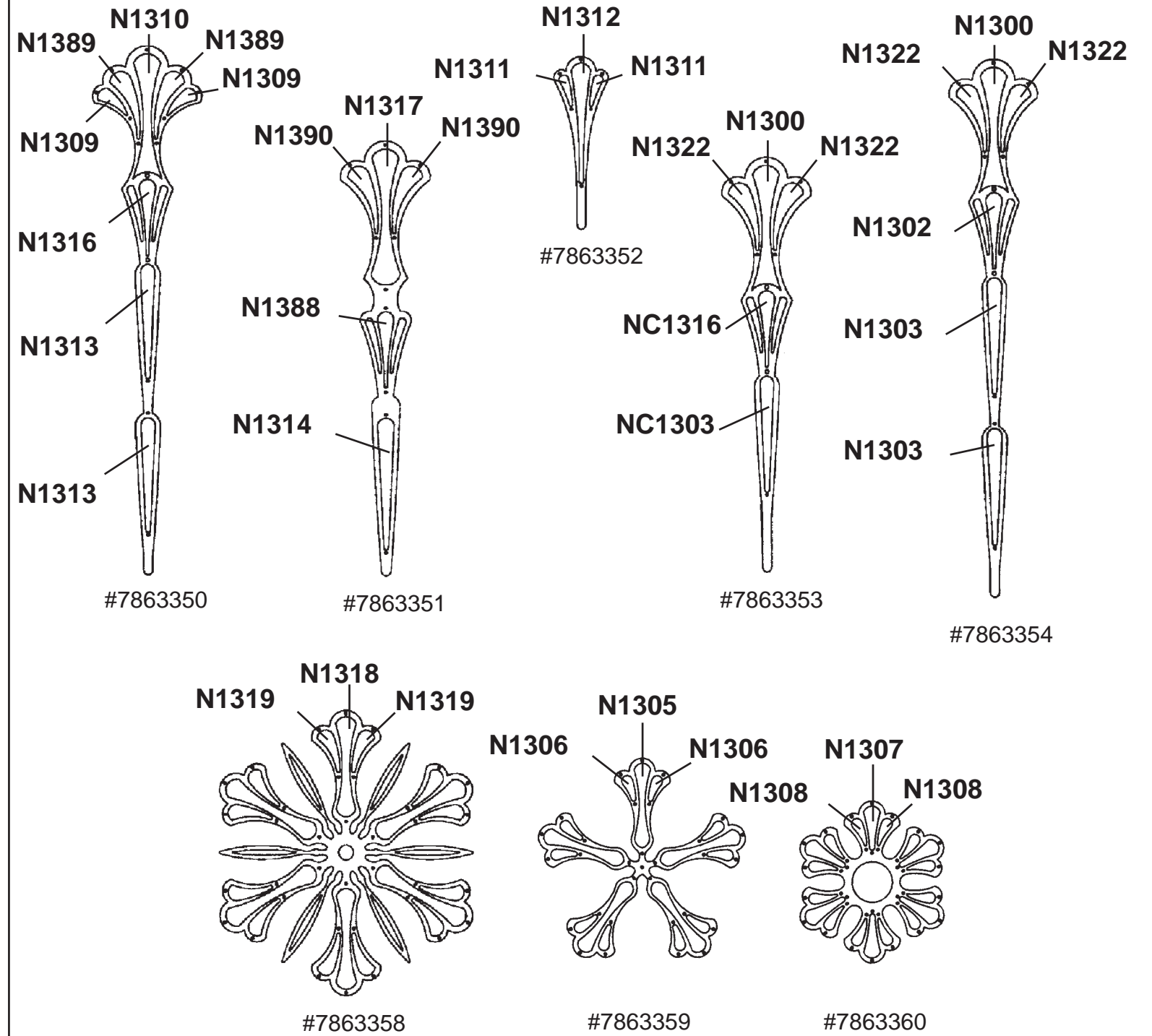


22

You will need 8 - C10
25 Watts Recommended
60 Watts Max



**PART NUMBERS FOR
SPARE PARTS**



24



Tighten
With
Allen Wrench
Provided.

23

N233

