

WARNING: DISCONNECT POWER AT THE MAIN FUSE BOX BEFORE INSTALLATION.

WARNING:

This fixture is intended for installation in accordance with the National Electrical Code (NEC) and all local code specifications. If you are not familiar with code requirements, installation by a certified electrician is recommended.

Before assembly, remove all parts and part packages from box. If anything is missing, please contact the retailer from which the product was purchased.

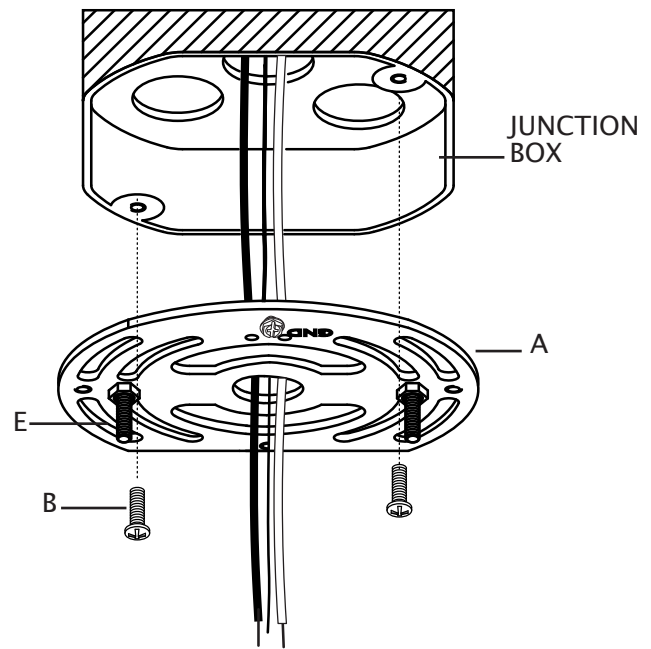
elk HOME

ANY QUESTIONS CALL: 800-613-3261
M-F 8:00AM-6:00PM ET

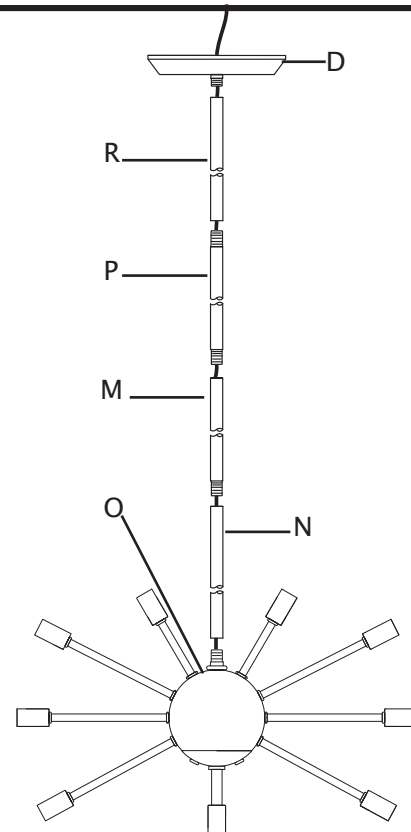
ITEM#: 11895/15

1. Carefully pull house wires out of junction box so they are easily accessible during installation.
2. Position mounting bracket (A) so threaded ends of attached fixture mounting screws (E) are facing down towards floor.
3. Carefully pull house wires through center hole in mounting bracket (A). Align holes in mounting bracket (A) with holes in junction box.
4. Thread each junction box screw (B) into holes in mounting bracket (A) and into holes in junction box. Tighten junction box screws (B) to secure mounting bracket (A) to junction box.

CAUTION: Make sure house wires are pulled completely through hole in mounting bracket.
DO NOT pinch wires between mounting bracket and ceiling.

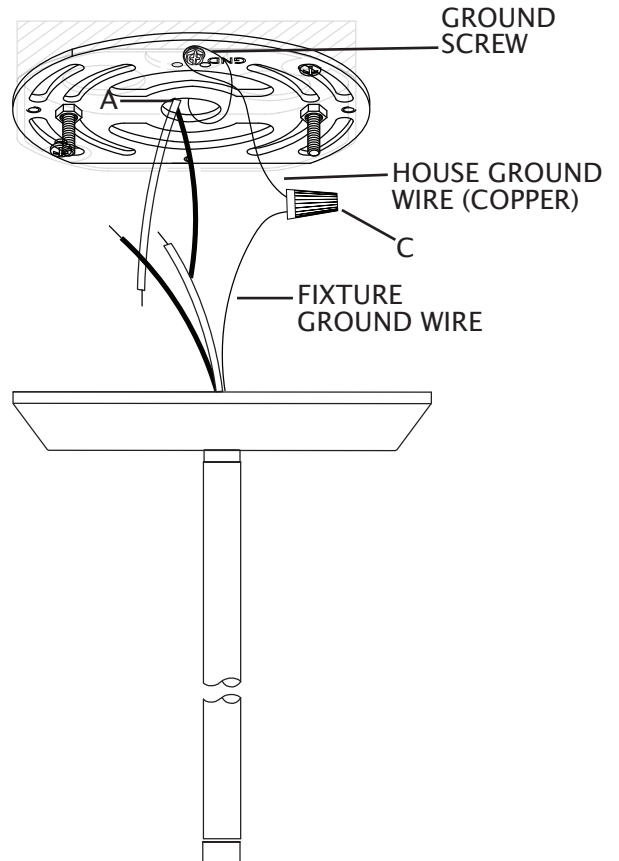


5. Carefully push fixture wires up through bottom of 7.5" stem (N). Pull fixture wires out of top of stem (N). Pull fixture wires taut. Screw bottom of stem (N) onto threaded pipe on top of fixture body (O).
6. Carefully push fixture wires up through bottom of 6" stem (M). Pull fixture wires out of top of stem (M). Pull fixture wires taut. Screw bottom of stem (M) onto top of stem (N).
7. Determine desired hanging height of fixture. Select the quantity of stems (P and R) required to achieve that height.
8. Carefully push fixture wires up through bottom of one stem (P or R). Thread end of stem (P or R) onto top of stem (M).
9. If using additional stem, carefully push fixture wires through remaining stem (P or R). Screw bottom of stem (P or R) onto top of stem (P or R).
10. From last stem, carefully push fixture wires up through threaded pipe on canopy (D). Pull fixture wires up through canopy (D). Screw last stem onto threaded pipe on canopy (D).



11. Strip 3/4" of insulation from ends of fixture wires.
12. Slightly loosen ground screw on mounting bracket (A). Do not completely remove ground screw. Wrap house ground wire (copper) around ground screw, leaving enough ground wire to attach to fixture ground wire. Twist end of fixture ground wire and end of house ground wire (copper) together. Twist wire nut (C) onto ends of wires. Completely tighten wire nut (C). Reference chart below for correct wire connections.

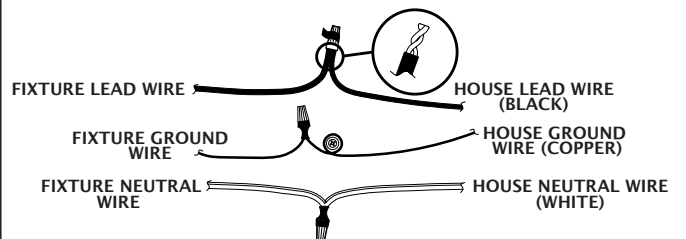
Connect Supply (House) Ground Copper Wire to:
Bare Copper Wire or,
Bare Silver Wire or,
Green Insulated Wire.



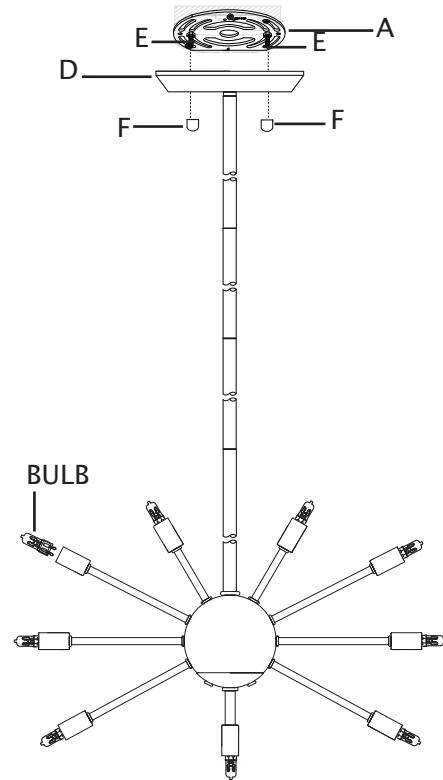
13. Twist end of house lead wire (black) and end of fixture lead wire together. Twist wire nut (C) onto ends of wires. Completely tighten wire nut (C). Twist end of house neutral wire (white) and end of fixture neutral wire together. Twist wire nut (C) onto ends of wires. Completely tighten wire nut (C). Reference chart to the right for correct wire connections.
14. Wrap electrical tape (not included) around wire nuts (C) and wires. Ensure wires are securely fastened into wire nuts.
15. Carefully push all wires and wire nuts into junction box.

Connect Black Lead Supply (House) Wire to:	Connect White Neutral Supply (House) Wire to:
Black Wire or,	White Wire or,
*Parallel Cord (Round and Smooth) or,	*Parallel Cord (Square and Ridged) or,
No printed words on wire insulation or,	Printed words on wire insulation or,
Insulated Wire (other than green) with Copper Conductor.	Insulated Wire (other than green) with Silver Conductor.

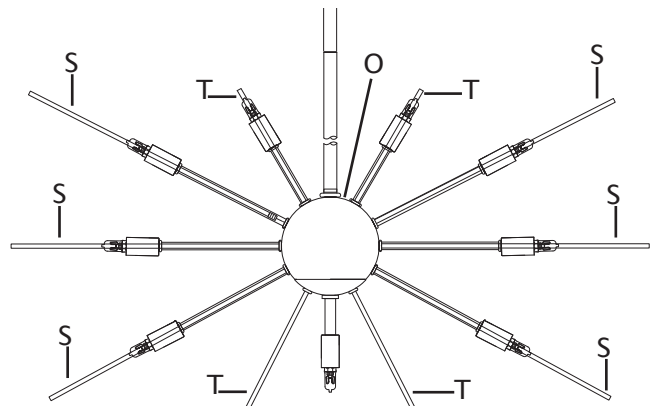
*When parallel wire (SPT 1 & SPT 2) is used:
The lead wire is round in shape or smooth.
The neutral wire is square in shape or ridged.



16. Carefully raise fixture up to ceiling. Place canopy (D) of fixture over mounting bracket (A). Pass holes in canopy (D) over ends of fixture mounting screws (E).
17. Screw one threaded cap (F) onto end of each fixture mounting screw (E). Tighten threaded caps (F) to secure fixture to ceiling. DO NOT over tighten.
18. Align pins at end of bulb with holes in socket. Carefully push pins on bulb into holes in socket. **IMPORTANT: DO NOT touch bulb with bare hands.**



19. Screw threaded end of each rod (S and T) into holes along center fixture body (O). Follow the diagram to the right for proper placement of each rod.



S
13-3/8"
QTY. 24

T
6-3/4"
QTY. 8

20. Using hex wrench (G), loosen set screw on collar on one snowflake (H). Slide the hole in the center of collar on snowflake (H) over the end of one rod (S or T). After placing snowflake (H) in desired position, tighten set screw to secure snowflake (H) in place. Reference the diagram at the bottom right for placement of snowflakes on each rod.

