

TW40005ASL INSTALLATION INSTRUCTIONS

Please read carefully and save these instructions, as you may need them at a later date.

CAUTION

WARNING: Risk of Fire. Consult a qualified electrician to ensure correct branch circuit conductor. Min 90°C supply conductors.

Turn off the main power at the circuit breaker before installing the fixture, in order to prevent possible shock.

GENERAL

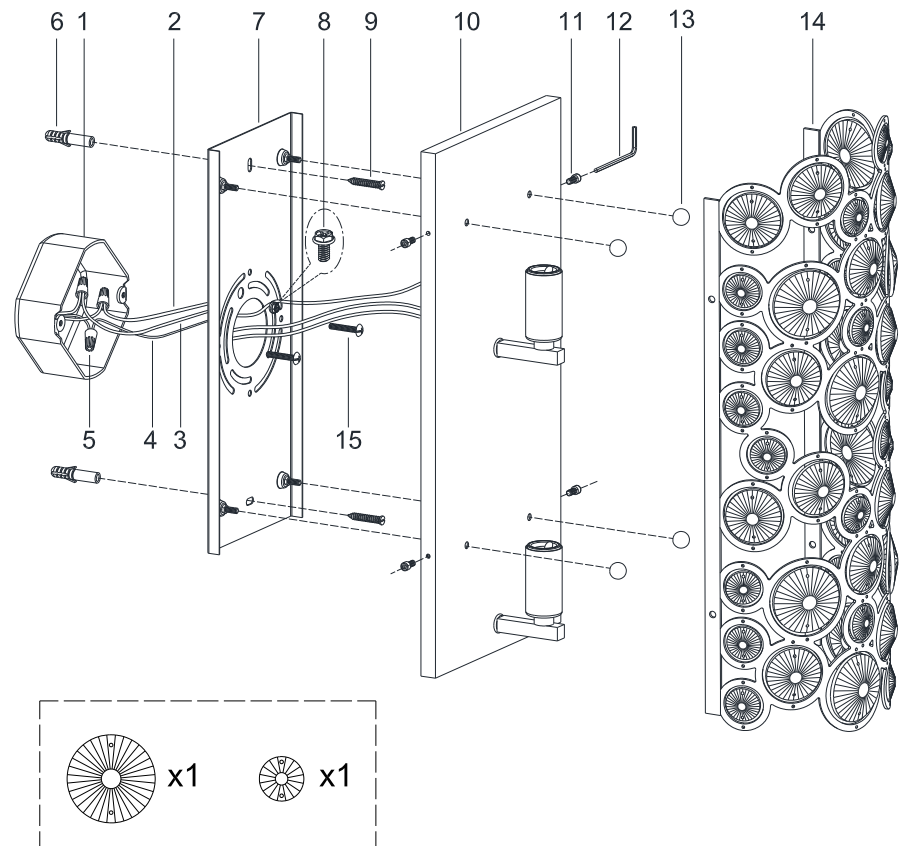
All electrical connections must be in accordance with local and National Electrical Code (N.E.C.) standards. If you are unfamiliar with proper electrical wiring connections obtain the services of a qualified electrician.

Remove the fixture and the mounting package from the box and make sure that no parts are missing by referencing the illustrations on the installation instructions.

ASSEMBLY AND INSTALLATION

1. Mount the wall anchor (6) to the wall. Secure the mounting plate (7) onto the outlet box (1), using mounting screws (15) and use the wall screw (9) to tighten the mounting plate.
2. Pull out the outlet wire and ground wire from the outlet box (1). Make wire connections.
 - White wire from light to White wire (4) from power source.
 - Black wire from light to Black wire (3) from power source.
 - Loop the ground wire (2) to mounting plate (7) with a ground screw (8).
3. Tuck wire connections into the wall outlet box. Place the back plate (10) over the mounting plate (7) and secure it with the ball nut (13).
4. Attach the frame (14) onto the back plate (10), aligning the threaded holes in the back plate (10) with the holes on the frame (14). Insert the 4 back plate screws (11), using allen wrench (12) until secure.
5. Install bulbs: (bulbs not included)
(Do not exceed the maximum capacity recommended on the sockets).

- | | |
|-------------------|----------------------|
| 1. OUTLET BOX | 9. WALL SCREW |
| 2. GROUND WIRE | 10. BACK PLATE |
| 3. BLACK WIRE | 11. BACK PLATE SCREW |
| 4. WHITE WIRE | 12. ALLEN WRENCH |
| 5. WIRE CONNECTOR | 13. BALL NUT |
| 6. WALL ANCHOR | 14. FRAME |
| 7. MOUNTING PLATE | 15. MOUNTING SCREW |
| 8. MOUNTING SCREW | |



Extra crystals are provided for re placement

INSTALLATION IS NOW COMPLETED