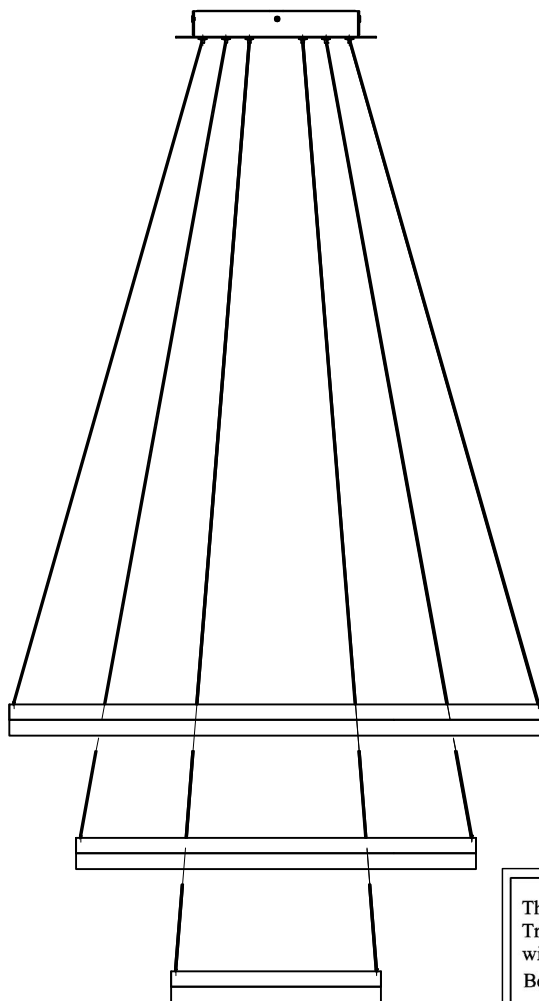


**PRODUCT NAME :**Quad  
**ITEM NUMBER:** E22407-BZ

**Please consult your electrician for hanging fixture and wiring.**



**WARNING: WIRES NEED TO BE CONNECTED TO DRIVER FOUND IN CANOPY AND SHOULD NOT CONNECT DIRECTLY TO POWER SOURCE OR A SHORT MIGHT OCCUR.**

The fixture is designed to dim with a standard Triac forward phase dimmer. Dimming levels will vary by dimmer.

Below is a list of recommended dimmers:

- Lutron MACL-153M
- Lutron DVL-153P
- Lutron SCL-153P
- Leviton IPL06-10Z
- Leviton 6674-POW

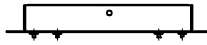
**Due to the inrush current wattage should not exceed 150 watts of product for a 600 watt dimmer.**

**100W LED**

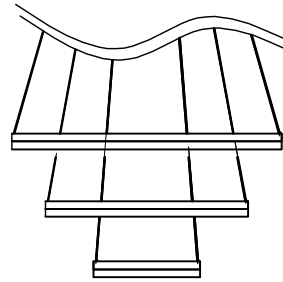
**IMPORTANT: Turn off the power at the main fuse or circuit breaker box before starting installation**



Bracket (A)

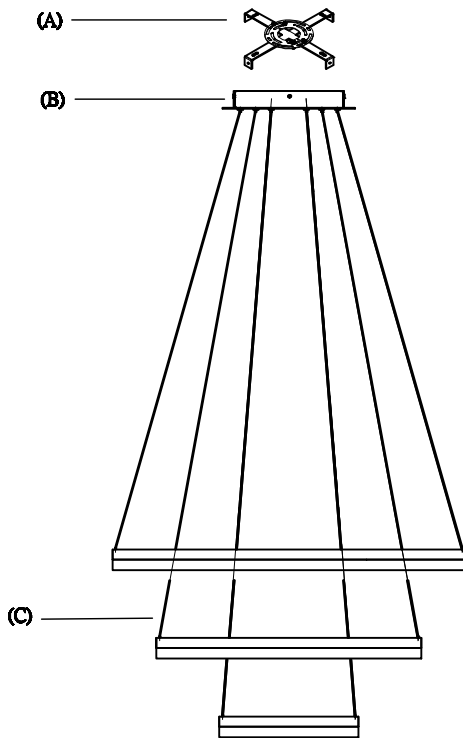


Canopy (B)

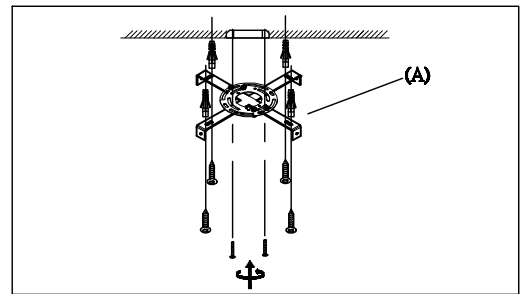


Body (C)

**Locate all hardware & components before discarding packaging**

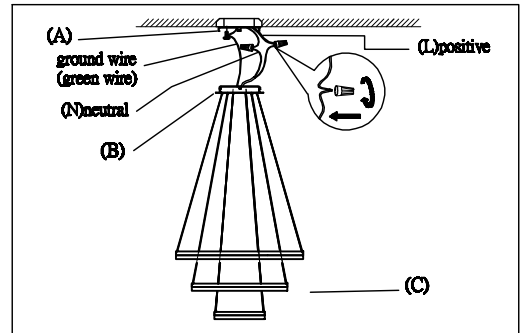


1.)



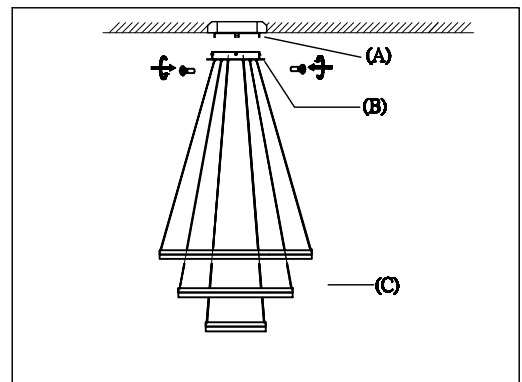
**Step 1: Remove Bracket (A) from fixture and install to electrical box.**

2.)



**Step 2: Wire fixture to wires in outlet box. Install Green wire to Ground Screw.**

3.)



**Step 3: Adjust wire length to desired hanging height. Install Canopy (B) to Bracket (A) and tighten screws at the ends of canopy to secure.**

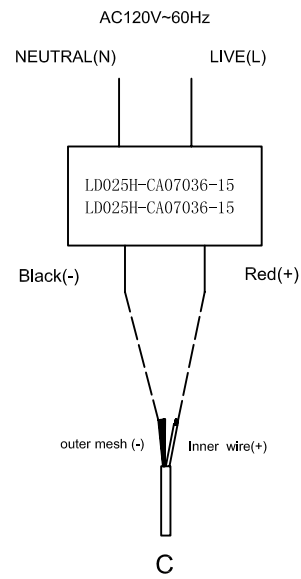
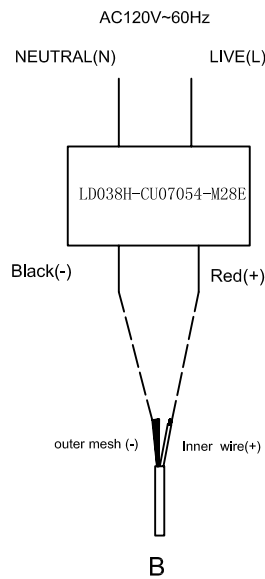
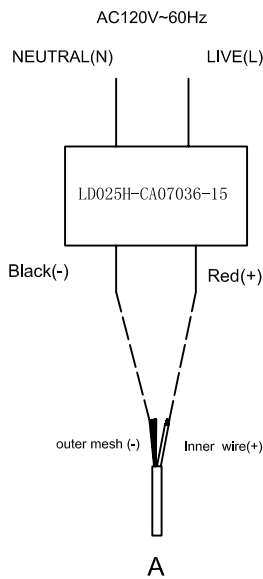
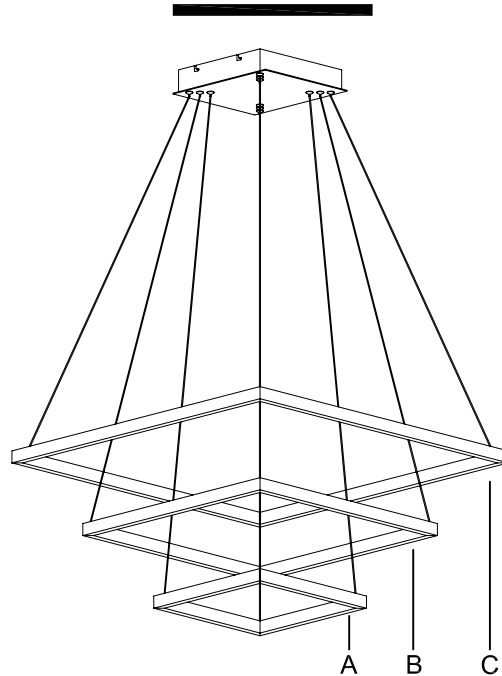
**Cleaning & Care:**

Clean with soft cloth and a mild detergent.  
Do not use abrasive cleaner.



This fixture **must** be installed with compatible dimmer types only.  
Improper wiring of fixture and/or use of incorrect dimmers will  
cause **catastrophic failure** and void the warranty.

E22407-BZ



### FOR Optimal Use

Triac & ELV dimmers  
For example:  
Lutron DVCL-150P/  
DVCL-153P  
Lutron DVELV-300P

### DO NOT USE

0-10V or magnetic  
dimmer

### SCHEMATIC FOR GENERAL REFERENCE ONLY

If fixture does not light,  
reverse polarity.

Must be installed by a licensed electrician  
with  
knowledge of electronic lighting systems