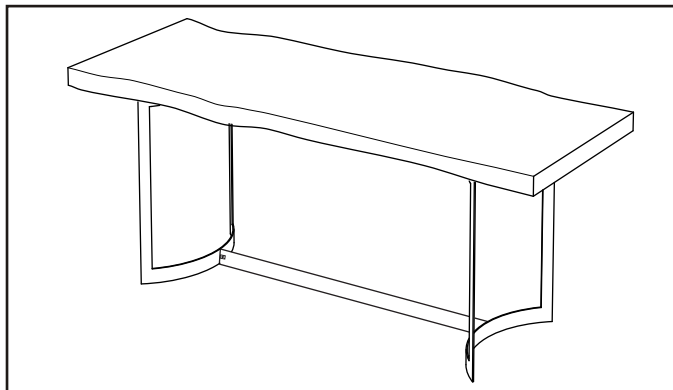
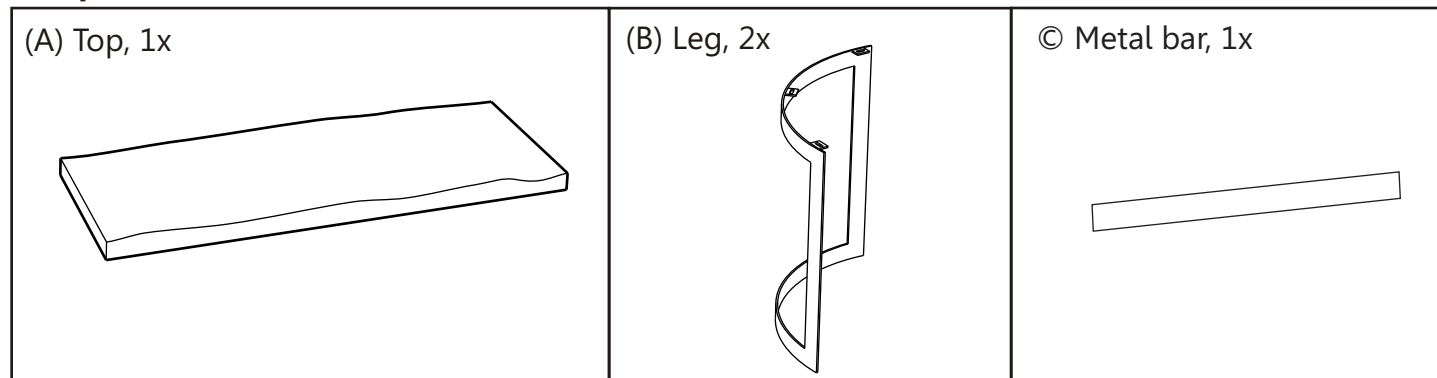


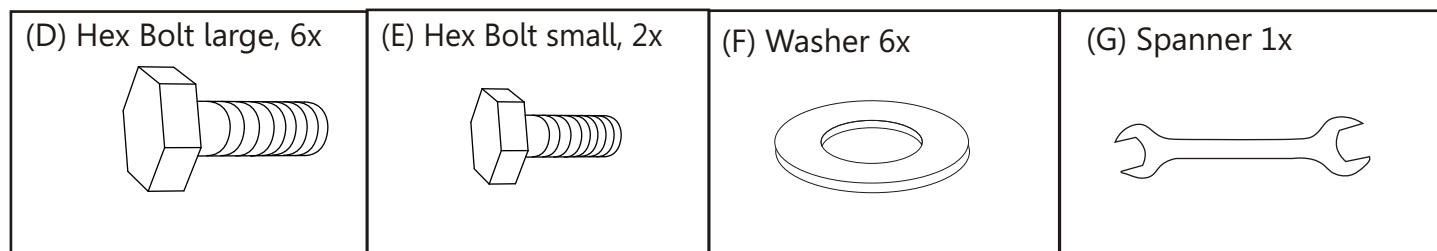
BENT COUNTER TABLE SMOKED
VE-1039-03
ASSEMBLY INSTRUCTIONS



Components:



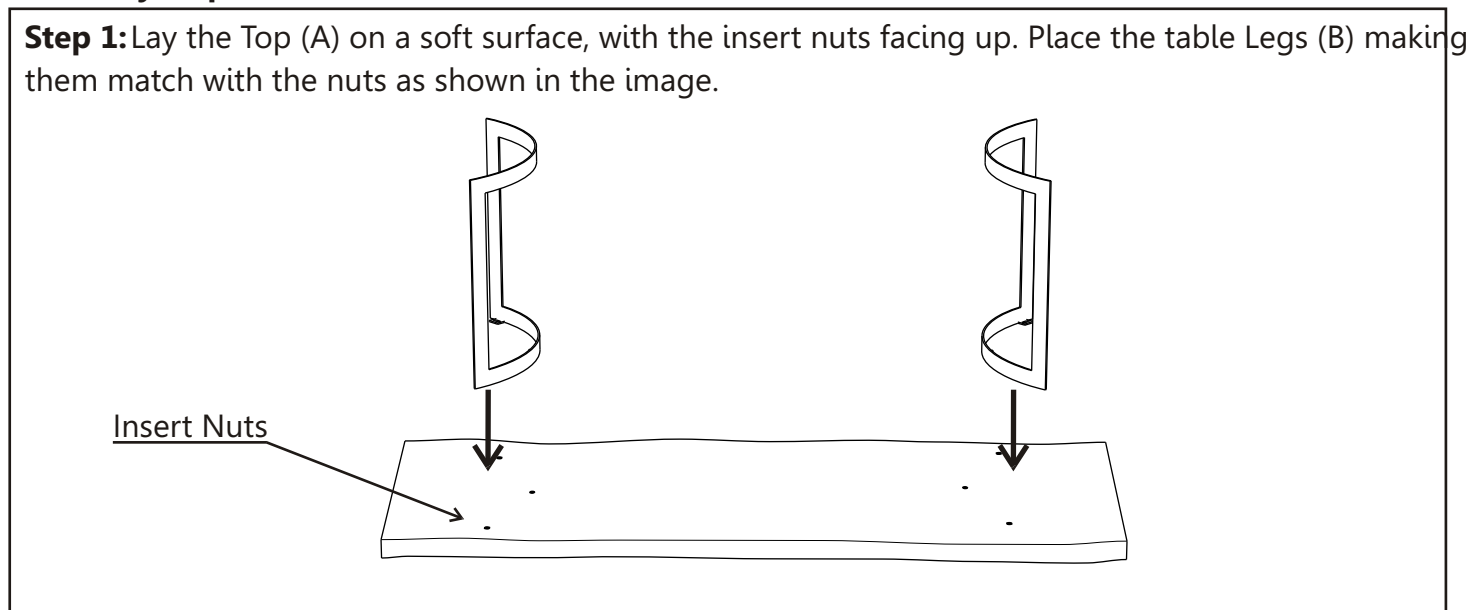
Hardware and tools:



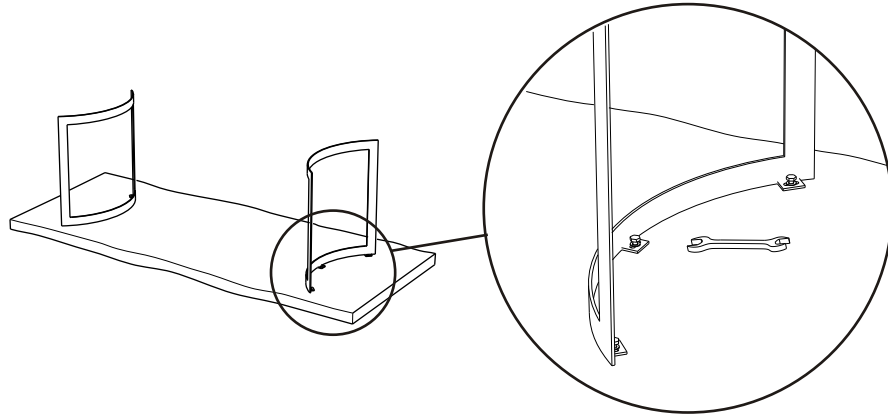
Before beginning:

- Unpack all parts and hardware to ensure you have all needed components for assembly.
- Read this guide cover to cover before beginning assembly.
- Have 2 adults on hand for assembly.
- Assemble on a padded, non-marring surface.
- Save all packaging until finish.

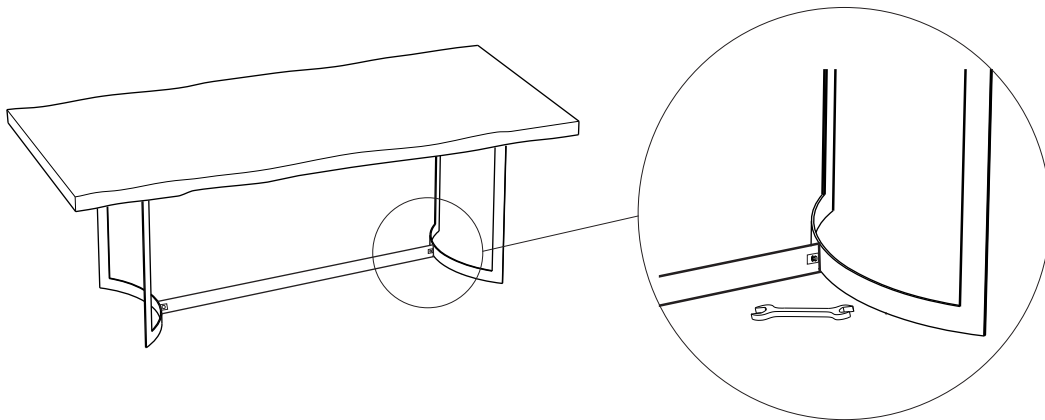
Assembly steps



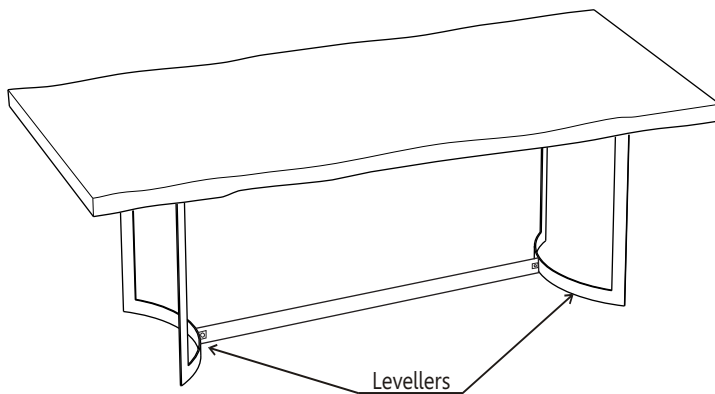
Step 2: Attach the legs using the Bolts (D), Washer (F) and Spanner (G) provided.



Step 3: Turn the table on its upright position & attach the metal bar horizontally as shown in the Image using Bolts (E) and Spanner (G) provided.



Step 4: Adjust the levellers under the legs if needed.



Assembly complete.

Care Instructions:

- Do not clean furniture with harsh cleansers or polish.
- Do not put hot items directly on furniture surface.
- Do not put furniture in direct sunlight.
- Not for commercial use. For residential use only.
- Dust and pick up spills with a clean, non-colored, lint-free cloth.
- Stains may be removed with mild soap and damp cloth.

Thank you!