

TW40004ASL INSTALLATION INSTRUCTIONS

Please read carefully and save these instructions, as you may need them at a later date.

CAUTION

WARNING: Risk of Fire. Consult a qualified electrician to ensure correct branch circuit conductor. Min 90°C supply conductors.

Turn off the main power at the circuit breaker before installing the fixture, in order to prevent possible shock.

GENERAL

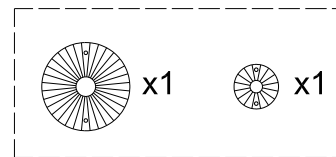
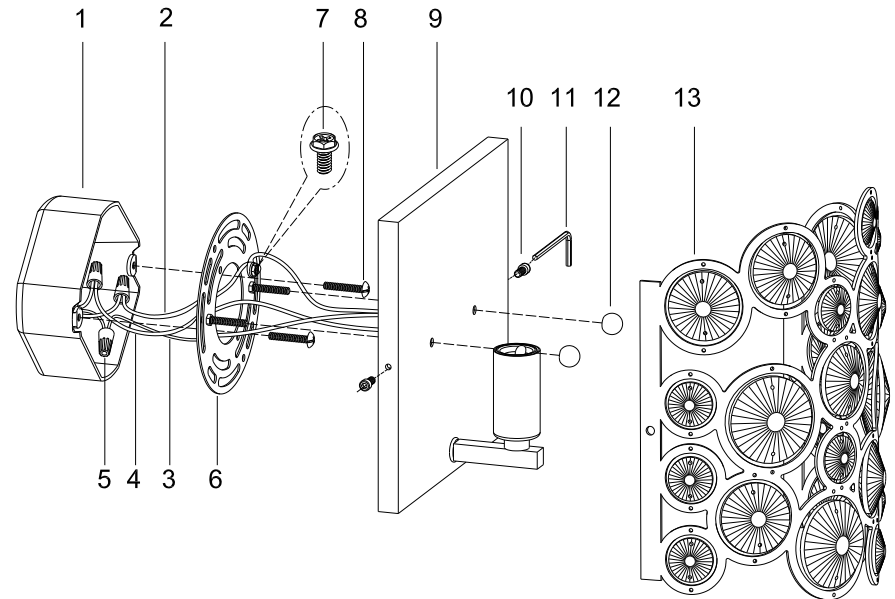
All electrical connections must be in accordance with local and National Electrical Code (N.E.C.) standards. If you are unfamiliar with proper electrical wiring connections obtain the services of a qualified electrician.

Remove the fixture and the mounting package from the box and make sure that no parts are missing by referencing the illustrations on the installation instructions.

ASSEMBLY AND INSTALLATION

1. Pull out the outlet wire and ground wire from the outlet box (1). Make wire connections.
 - White wire from light to White wire (2) from power source.
 - Black wire from light to Black wire (3) from power source.
 - Loop the ground wire (4) to mounting plate (6) with a ground screw (7).
2. Attach the mounting plate (6) to the outlet box (1) using mounting screws (8).
3. Tuck wire connections neatly into the wall outlet box. Place the back plate (9) over the mounting plate (6) and secure it with the ball nut (12).
4. Attach the frame (13) onto the back plate (9), aligning the threaded holes in the back plate (9) with the holes on the frame (13). Insert the 2 back plate screws (10), using allen wrench (11) until secure.
5. Install bulb: (bulb not included)
(Do not exceed the maximum capacity recommended on the socket).

- | | |
|-------------------|----------------------|
| 1. OUTLET BOX | 8. MOUNTING SCREW |
| 2. GROUND WIRE | 9. BACK PLATE |
| 3. BLACK WIRE | 10. BACK PLATE SCREW |
| 4. WHITE WIRE | 11. ALLEN WRENCH |
| 5. WIRE CONNECTOR | 12. BALL NUT |
| 6. MOUNTING PLATE | 13. FRAME |
| 7. GROUND SCREW | |



Extra crystals are provided for re placement

INSTALLATION IS NOW COMPLETED