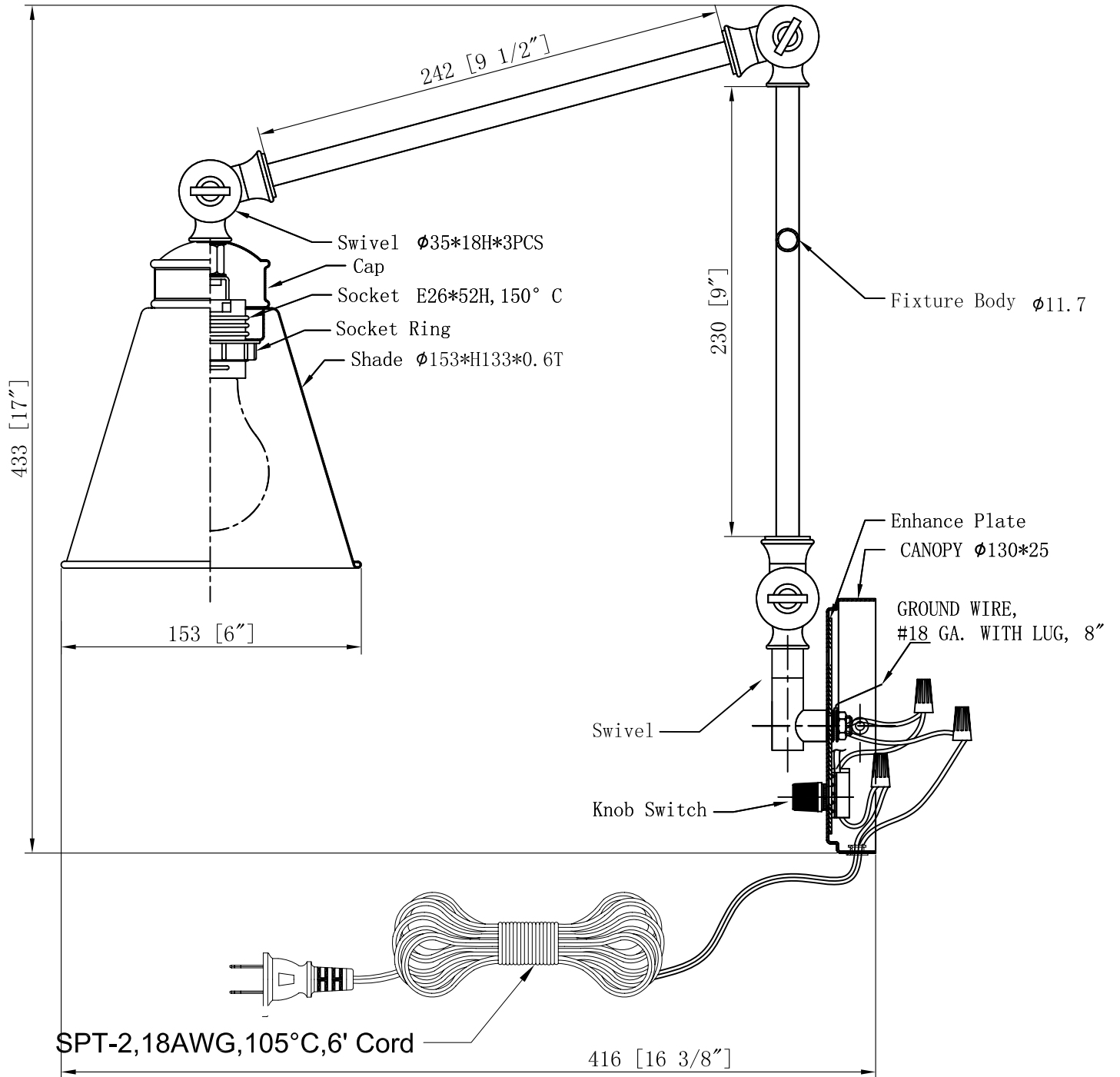


Part



9-961CP-1