

LANDSCAPE FLOODLIGHT Installation Instructions

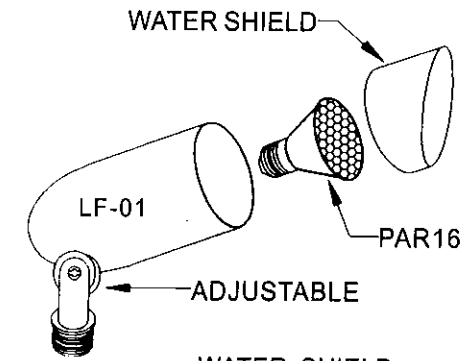
76/645
76/655

76/646
76/656

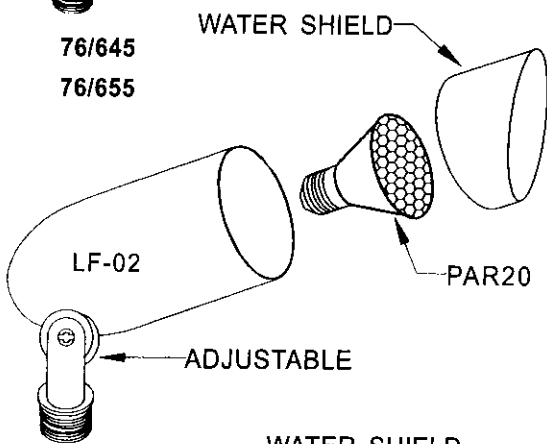
76/647
76/657

76/648
76/658

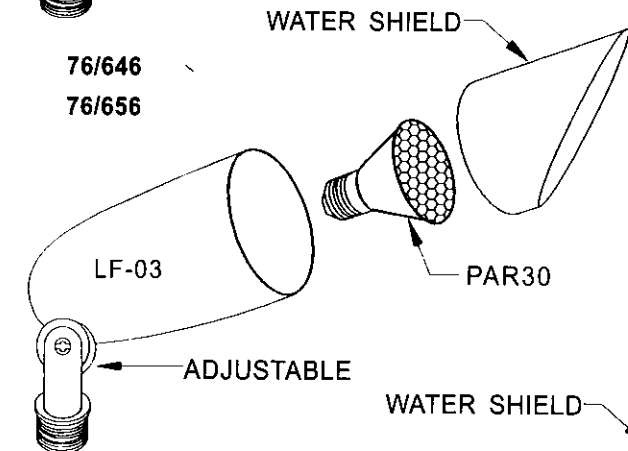
 US Listed
SUITABLE FOR
WET LOCATIONS



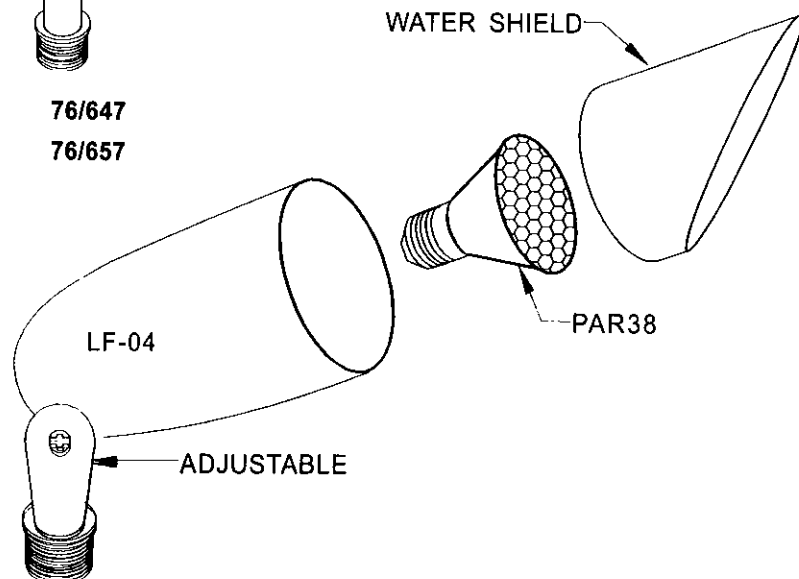
76/645
76/655



76/646
76/656



76/647
76/657



76/648

LANDSCAPE LIGHTING WILL BE INSTALLED BY PROFESSIONAL

- TURN OFF POWER
- OPEN WATER SHIELD AND INSTALL
PAR16/PAR20/PAR30/PAR38 INCANDESCENT
- ROTATE WATER SHIELD IN TO DESIRED DIRECTION
- TO CONNECT WIRES USING WIRE NUTS EACH
SUPPLY WIRE TO CORRESPONDING SOCKET WIRES
- ATTACH LANDSCAPE FLOODLIGHT TO
STAKE POST OR CANOPY
- TURN ON POWER

